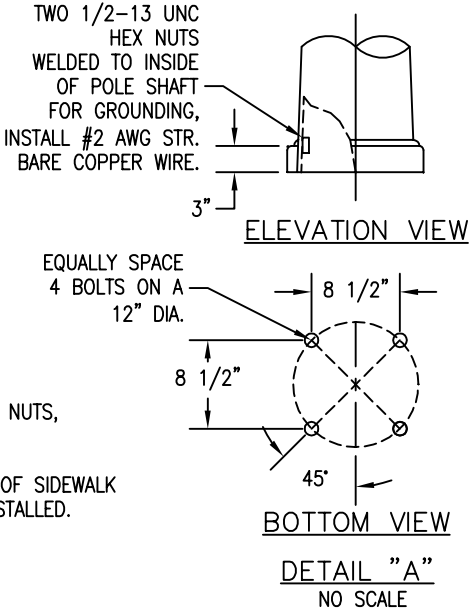


- NOTES:**
1. THE POLE SHALL BE FURNISHED WITH GROUNDING CONNECTORS, ANCHOR BOLTS, NUTS, WASHERS, AND BOLT COVER.
  2. IF FOUNDATION IS PLACED IN SIDEWALK, PLACE THE FOUNDATION TOP WITHIN 4" OF SIDEWALK SURFACE. REMAINDER OF FOUNDATION SHALL BE PLACED WHEN SIDEWALK IS INSTALLED.
  3. IF FOUNDATION IS PLACED AT BACK OF SIDEWALK OR IN DIRT, FINISH TOP 6" TO 42" X 42" SQUARE.



DRAWN BY: M. LEE  
 CHECKED BY: D. PITTON  
 APPROVED BY: T. SUPAN  
 DATE: NOVEMBER 2005

TYPE III POLE  
 CITY OF SANTA CLARA

TR-4  
 PAGE: 41